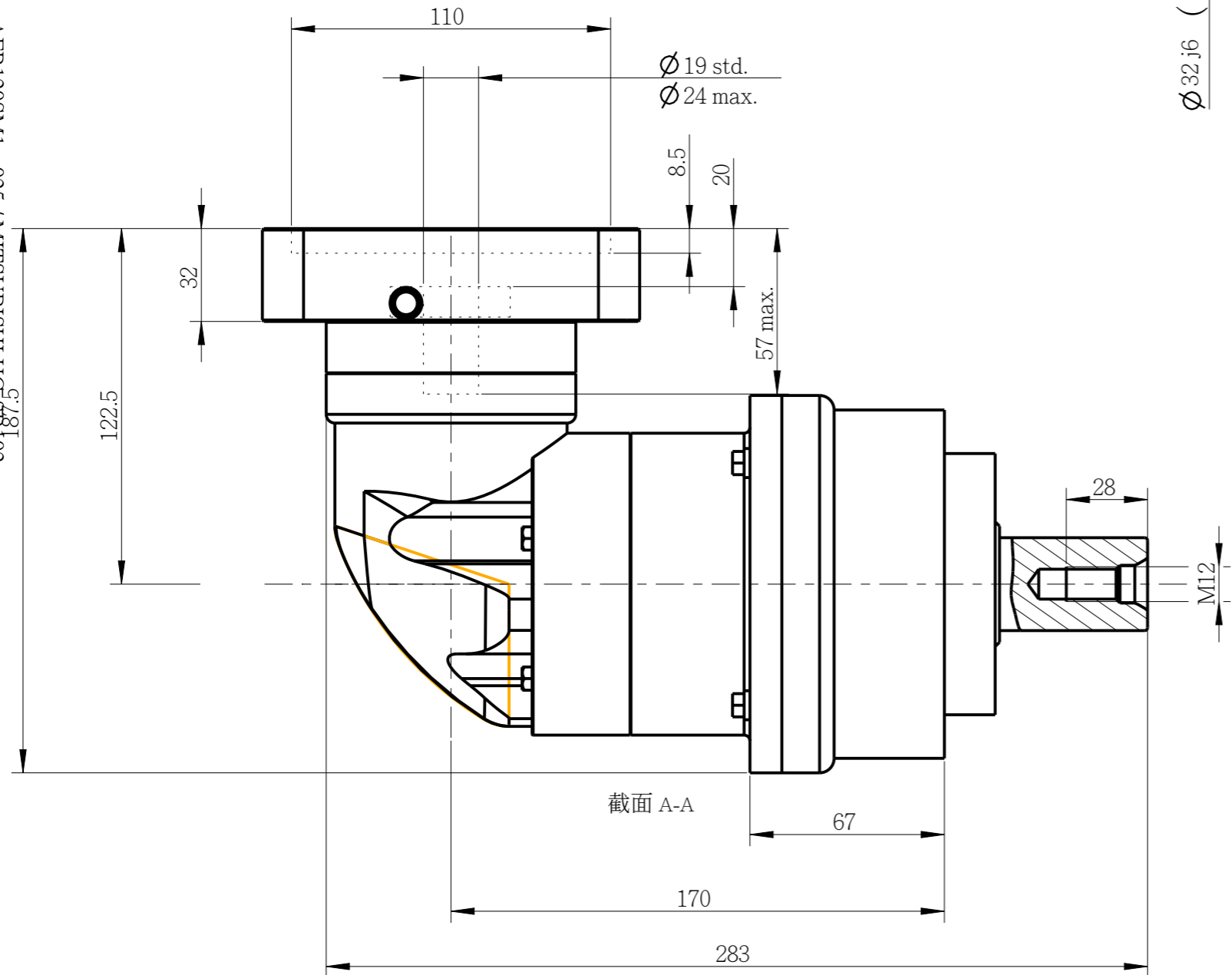



AER120SM1 - 025 / MITSUBISHI HG-SR102



PART NO. AER120S2-P0413301601 AER120S-2, AD-P90-M130-1		 APEX DYNAMICS, INC.		
APPROVALS	DATE	TITLE AER-120S 2 Stages, Ratio=25~200 AND MOTOR FLANGE MOUNTING		
DRAWN 巫健銘		DWG NO. AER120S2-P0413301601		
CHECKED		SIZE A3	SCALE 1:2	REV 1.0
APPROVED		